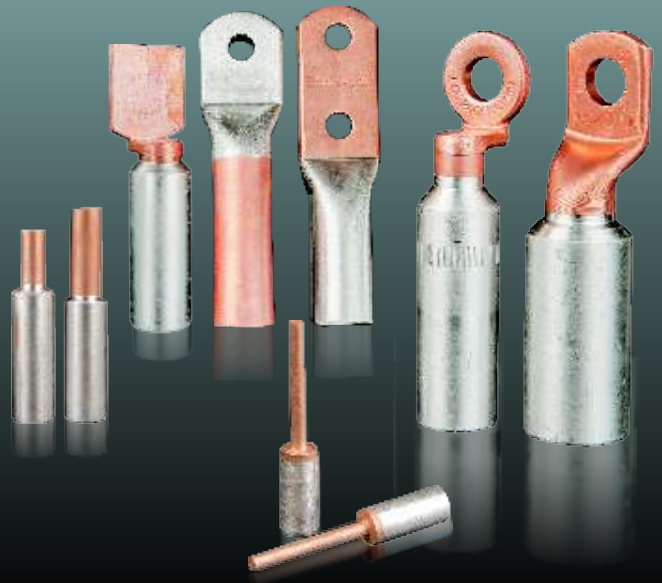




ELECTRO CRIMP CONTACTS (I) PVT. LTD.

www.eccipl.com

**Bimetallic
Lugs &
Connectors**





[Bi-Metallic CABLE LUGS]

Suitable for Aluminium Conductors as per DIN 46329

Bimetallic lugs are made from high quality Aluminium and Copper with Barrier joined together By friction welding process. Aluminium barrel is filled with non oxide inhibiting compound and sealed with cap. Palm is with solid ETP copper

Technical Data

Aluminium - 99.5% Pure

Copper - EC grade

Joining Method - Friction Welding

Operating Temperature - 40° to 100 °c

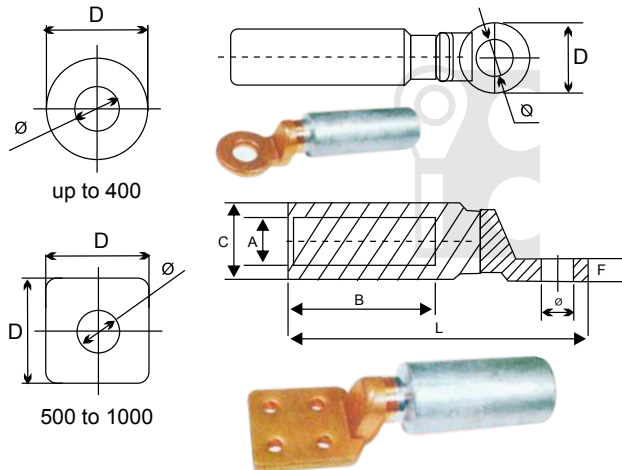
Al conductivity - 60% IACS

Cu. Conductivity - 97% IACS

Application

Industrial application for Transition joints High/Low Voltage.

Switch gears and grounding systems.



Part No.	Cable Size mm ²	Stud Hole Ø (mm)	A	C	D	B	J	F
EBL16/8	16	8.5	6	12	21	43	85	4
EBL16/10		10.5						
EBL25/8	25	8.5	6.8	16	21	43	85	4
EBL25/10		10.5						
EBL25/12		12.8						
EBL35/8	35	8.5	8	16	21	43	85	4
EBL35/10		10.5						
EBL35/12		12.8						
EBL50/8	50	8.5	9.8	20	25	43	90	5
EBL50/10		10.5						
EBL50/12		12.8						
EBL70/10	70	10.5	11.2	20	25	43	90	5
EBL70/12		12.8						
EBL95/10	95	10.5	13.2	22	25	56	92	5
EBL95/12		12.8						
EBL95/16		16						
EBL120/12	120	12.8	14.7	22	25	56	92	5
EBL120/16		16						
EBL150/12	150	12.8	16.3	25	30	60	115	6.2
EBL150/16		16.5						
EBL150/20		20.5						
EBL185/10	185	10.5	18.3	30	30	60	115	6.2
EBL185/12		12.8						
EBL185/16		16.5						
EBL185/20		20.5						
EBL240/12	240	12.8	21	32	35	70	120	7.3
EBL240/16		16.5						
EBL240/20		20.5						
EBL300/12	300	12.8	23.3	34	35	73	146	7.3
EBL300/16		16.5						
EBL300/20		20.5						
EBL400/16	400	16.5	26	38.5	35	73	146	7.3
EBL500/16	500	16.5	29.1	47	60x60	94	200	10
EBL630/16	630	16.5	32.5	47	60x60	94	200	10
EBL800	800	-	37.5	58	80x80	120	260	10
EBL1000	1000	-	42	58	80x80	120	260	10

All dimensions are with general tolerances



Bi-Metallic CABLE CONNECTORS

Bi-metal in line connectors are friction welded from the ETP grade Copper and Aluminium with solid barrier. Aluminium barrel is filled with jointing compound and end is sealed with cap.

Technical Data

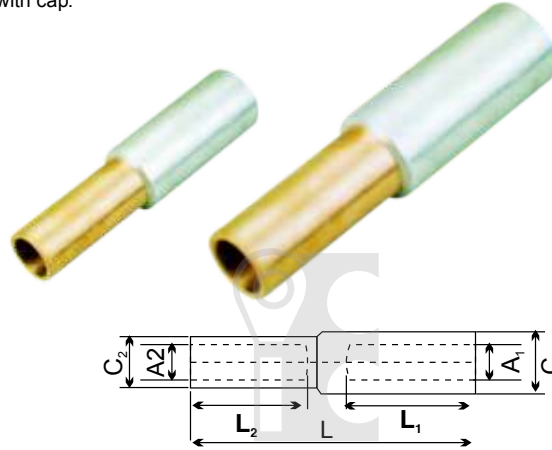
Aluminium - 99.5% Pure
 Copper - 99.50% Pure
 Jointing Method - Friction Welding
 Operating Temperature - 40° to 100 °c

Application

Industrial application for Transition joints
 High Voltage. Switch gears and grounding systems.

Conductivity

Aluminium -60% IACS
 Copper- 97% IACS

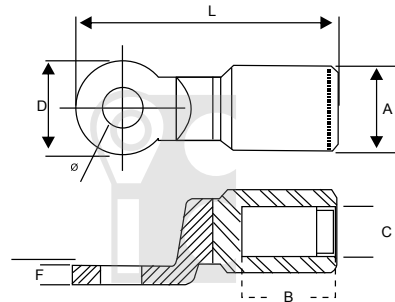


Part No.	Cable Size mm ²	Cu Cable Size	A ₁	C ₁	A ₂	C ₂	L ₁	L ₂	L
			Aluminium		Copper		Al	Cu	
EBC16/10	16	10	6	12	4.5	6.2	32	15	60
EBC25/10	25	10	7	12	4.5	6.2	35	15	65
EBC25/16		16	7	12	6	8.5	35	18	65
EBC35/16	35	16	8	14	6	8.5	40	18	70
EBC35/25		25	8	14	7	10	40	20	70
EBC50/25	50	25	9	15	7	10	45	20	75
EBC50/35		35	9	15	8.2	12.5	45	20	75
EBC70/35	70	35	11.2	20	8.2	12.5	45	20	78
EBC70/50		50	11.2	20	10	14.5	45	21	80
EBC95/50	95	50	13.2	22	10	14.5	47	21	82
EBC95/70		70	13.2	22	11.5	15	47	23	85
EBC120/50	120	50	14.7	23	10	14.5	47	21	82
EBC120/70		70	14.7	23	11.5	15	47	23	85
EBC120/95		95	14.7	23	14	17.4	47	27	90
EBC150/70	150	70	16.3	25	11.5	15	50	23	90
EBC150/95		95	16.3	25	14	17.4	50	27	92
EBC150/120		120	16.3	25	15.5	19.4	50	28	92
EBC185/95	185	95	18.3	30	14	17.4	55	27	98
EBC185/120		120	18.3	30	15.5	19.4	55	28	98
EBC185/150		150	18.3	30	16.5	21.2	55	30	100
EBC240/120	240	120	21	32	15	19.4	60	28	105
EBC240/150		150	21	32	16.5	21.2	60	30	108
EBC240/185		185	21	32	18.5	23.5	60	35	113
EBC300/150	300	150	24	36	16.5	21.2	60	30	108
EBC300/185		185	24	36	18.5	23.5	60	35	113
EBC300/240		240	24	36	21.5	27.5	60	40	115
EBC400/240	400	240	26	40	21.5	27.5	62	40	123
EBC400/300		300	26	40	24	30.5	62	45	129
EBC500/300	500	300	30	45	24	30.5	65	45	130
EBC500/400		400	30	45	27.5	38.5	65	50	132
EBC630/500	630	500	35	50	31	42	70	55	142



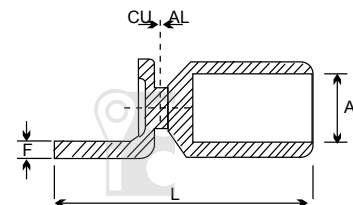
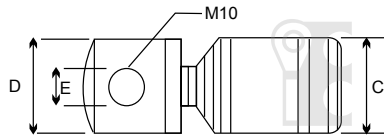
ECC COMPRESSION TYPE Bi-Metallic CABLE LUGS

Aluminium-Copper Lugs (Friction welded)
Aluminium-Barrel with copper palm lugs.



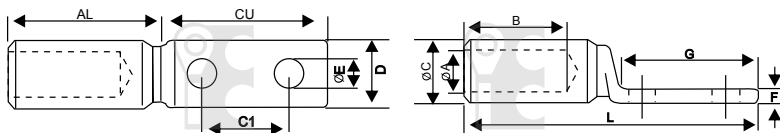
Part No.	Cable Size mm ²	Stud Hole Ø E	A	C	D	F	L	B
EBSL35	35	8.2	8	16	16	4.5	57	22
EBSL50	50	8.2	9	16	16	4.5	57	22
EBSL70	70	10.3	11	20	20	5	60	25
EBSL95	95	10.3	12.5	20	20	5	60	25
EBSL120	120	10.3	13.7	20	20	5	60	28
EBSL150	150	12.8	15.5	25	25	6	78	30
EBSL185	185	12.8	17	27	30	6	78	35
EBSL240	240	12.8	19.5	30	30	6	78	40
EBSL300	300	12.8	22	34	35	7	85	40

Bi-Metallic Lugs (D Type)



Part No.	Cable Size mm ²	Stud Hole Ø E	A	C	B	D	F	L
EBSP300	300	10.5	22	34	40	30	7	85

Bi-Metallic LUGS WITH LONG COPPER PALM

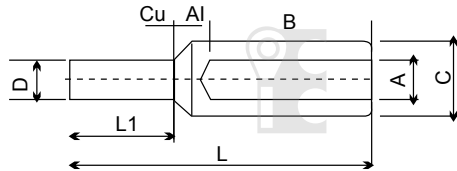


Part No.	Cable Size mm ²	Stud Hole Ø E	Ø A	Ø C	C1	D	B	F	G	L
EBLP70	70	13	11.2	20	45	25	58	5	67	140
EBLP95	95	13	13.2	22	45	25	58	5	67	140
EBLP120	120	13	14.7	22	45	25	58	5	67	140
EBLP150	150	13	16.3	25	45	30	58	6	67	140
EBLP185	185	13	18.3	30	45	30	58	6	67	140



Bi-Metallic COPPER PIN CONNECTORS FOR ALUMINIUM CABLES

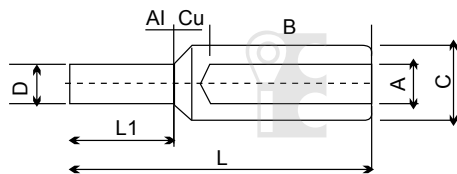
Bi-Metallic PIN connectors with Aluminium and copper friction welded with highest pure quality of Aluminium & copper materials. Aluminium barrel is filled with jointing compound and end is sealed with cap.



Part No.	Cable Size mm ²	A	C	D	B	L ₁	L
EBPC16	16	6	12	6	30	20	58
EBPC25	25	6.8	16	6	30	20	58
EBPC35	35	8	16	7	40	22	71
EBPC50	50	9.8	20	8	40	25	74
EBPC70	70	11.5	20	10	50	30	87
EBPC95	95	13.5	22	12	50	33	91
EBPC120	120	15	23	12	52	38	98
EBPC150	150	16.3	25	12	62	38	108
EBPC185	185	18.5	30	14	64	44	116
EBPC240	240	21	32	16	76	44	128
EBPC300	300	23.3	34	18	76	46	131
EBPC400	400	26	38.5	18	88	56	153

Bi-Metallic ALUMINIUM PIN CONNECTORS FOR COPPER CABLES

Bi-Metallic PIN connectors with Aluminium and copper friction welded with highest pure quality of Aluminium & copper materials.

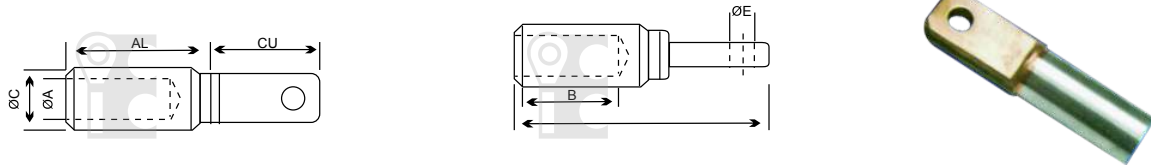


Part No.	Cable Size mm ²	A	C	D	B	L ₁	L
EBPA16	16	5.5	8.5	5	13	15	45
EBPA25	25	7	10	6	13	15	45
EBPA35	35	8.2	12.5	6.5	16	22	55
EBPA50	50	10	14.5	6.5	16	22	50
EBPA70	70	11.5	16.5	10.5	18	25	60
EBPA95	95	13.5	19	11	20	30	70
EBPA120	120	15.5	21	11	22	33	75
EBPA150	150	17	23.5	11	26	38	75
EBPA185	185	19	25.5	11	32	38	75
EBPA240	240	21.5	29	15	38	45	80
EBPA300	300	24.5	32	15	42	45	80



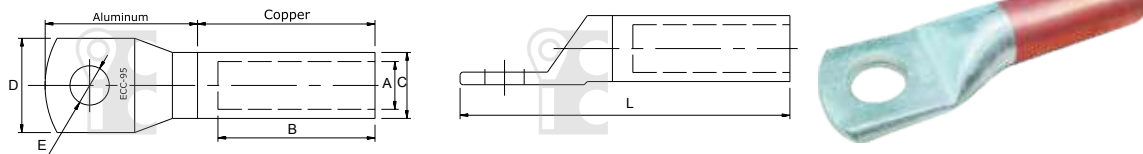
Bi-Metallic LUGS WITH COPPER CENTER PALM

Bi-metallic Lugs with center palm of copper are made from highest quality of Aluminium and copper metals with barrier joined together with friction welding process. Aluminium barrel is filled with oxide inhibiting compound and end is sealed with cap.



Part No.	Cable Size mm ²	Stud Hole Dia E	A	C	B	L
EBCP25	25	10.5	6.8	16	35	80
EBCP35	35	10.5	8	16	35	80
EBCP50	50	10.5	9.8	20	43	85
EBCP70	70	12.5	11.2	20	43	85
EBCP95	95	12.5	13.2	22	56	100
EBCP120	120	12.5	14.7	22	56	100
EBCP150	150	12.5	16.3	25	60	125
EBCP185	185	17	18.3	30	60	128
EBCP240	240	17	21	32	70	130
EBCP300	300	17	23.3	34	73	135
EBCP400	400	21	26	38.5	73	140
EBCP500	500	21	29.1	42	75	140

Reverse Bi-Metallic LUGS WITH ALUMINIUM PALM



Part No.	Cable Size mm ²	Cable Size Copper		Diameter D	B	L
		A	C			
ERBL16	16	6	8.5	16	27	70
ERBL25	25	7	10	16.5	27	70
ERBL35	35	8.2	12.5	20.5	30	70
ERBL50	50	10	14.5	22.5	40	95
ERBL70	70	11.5	15	25.5	40	95
ERBL95	95	14	17.5	30.5	40	95
ERBL120	120	15	19.4	32	50	105
ERBL150	150	16.5	21.2	35	55	120
ERBL185	185	18.5	23.5	40	60	130
ERBL240	245	21.5	27.5	45	65	140
ERBL300	300	24	30.5	48	65	140
ERBL400	400	27.5	38.5	54	70	150
ERBL500	500	31	42	61	75	160
ERBL630	630	34.5	44	65.8	80	175