

VARIETY TO SUIT ALL YOUR APPLICATION NEEDS

When it comes to variety on Flexible Corrugated Conduits, Controlwell raises the bar with a wide choice of materials and sizes to meet varied applications.

These conduits have an extremely small bending radius and offer high impact resistance. When combined with Controlwell Conduit Glands they offer IP67 protection to cables housed there in.

They come with added benefits of being UV Resistant, Halogen Free, Acid Proof and Flame Retardant in nature.

With approvals like UL, VDE, CSA and CE Mark these conduits are the final word when it comes to cable protection.

Controlwell conduits are available in:

- Polyamide
- Polyethylene
- Polypropylene
- Galvanized Steel
- Stainless Steel
- PVC coated Galvanized Steel
- Anaconda Liquidtite & Sealtite Conduits



FLEXIBLE
NON METALLIC &
NON METALLIC
CONDUITS

GOING THE WHOLE LENGTH TO SAFEGUARD YOUR CABLES

www.controlwell.com






HIGH GRADE POLYAMIDE FLEXIBLE CONDUITS

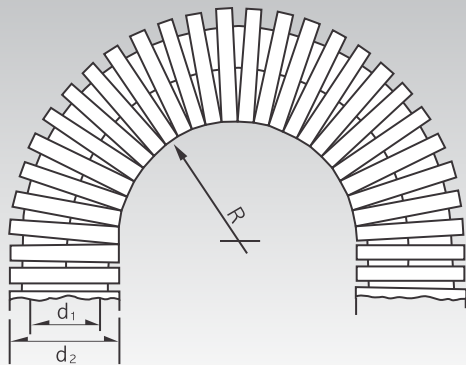
UNSLITTED



These Conduits are made of high quality flame-retardant Polyamide 6. They are flexible, halogen-free and have a small bending radius. They also offer good impact resistance. They are suitable for various applications such as ship, train building, rolling stock, railway and subway etc. These Conduits offer IP 67 protection in combination with Conduit Glands. UV resistant Conduits are also available on request. These Conduits are available in grey and black colours and comply with EN 60529 and IEC 61386 standards.

Technical Details :	
Material	Polyamide 12
Flexural Strength	710 kg / cm ²
Flexural Modulus	15,000 kg / cm ²
Tensile Strength	550 kg / cm ²
Impact Strength	15 Kg.cm / cm
Temperature Range	-50° C to +95° C Continuous, +150° C Short Term
Resistant	Alcohol, Benzol, Mineral Oil, Diesel Fuel, etc.
Protection Class	IP 67
Approvals	  

Cat. No. Grey	Cat. No. Black	Inner Diameter d1 (mm)	Outer Diameter d2 (mm)	Bending Radius R (mm) ± 10%	Standard Pack (meters)
PAR-07G	PAR-07B	6.4	10.0	15	50
PAR-10G	PAR-10B	9.6	13.0	20	50
PAR-12G	PAR-12B	11.8	15.8	30	50
PAR-16G	PAR-16B	15.9	21.2	40	50
PAR-22G	PAR-22B	21.7	28.5	45	50
PAR-28G	PAR-28B	27.8	34.5	55	50
PAR-36G	PAR-36B	36.0	42.5	60	30
PAR-48G	PAR-48B	46.5	54.5	70	30
PAR-56G	PAR-56B	56.3	67.2	110	30
PAR-70G	PAR-70B	70.0	82.5	160	10



APPLICATION IMAGE



These Conduits are made of high quality flame-retardant Polyamide 6. They are flexible, halogen-free and have a small bending radius. They also offer good impact resistance. They are suitable for various applications such as ship, train building, rolling stock, railway and subway etc. These Conduits offer IP 67 protection in combination with Conduit Glands. UV resistant Conduits are also available on request. These Conduits are available in grey and black colours and comply with EN 60529 and IEC 61386 standards.

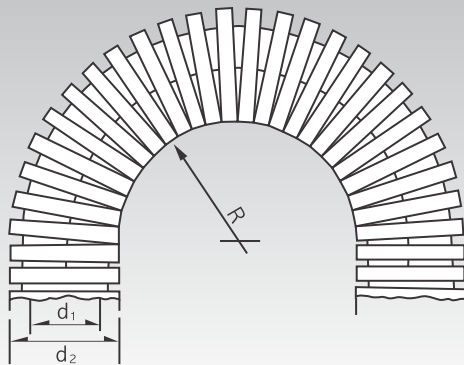
HIGH GRADE POLYAMIDE FLEXIBLE CONDUITS

UNSLITTED



Technical Details :	
Material	Polyamide 6
Flexural Strength	950 kg / cm ²
Flexural Modulus	26,000 kg / cm ²
Tensile Strength	700 kg / cm ²
Impact Strength	25 kg.cm / cm
Temperature Range	-40° C to +105° C Continuous, +150° C Short Term
Resistant	Alcohol, Benzol, Greases, Mineral Oil, Diesel Fuel, Sea Water, Petrol, etc.
Protection Class	IP 67
Approvals	

Cat. No. Grey	Cat. No. Black	Inner Diameter d1 (mm)	Outer Diameter d2 (mm)	Bending Radius R (mm) ± 10%	Standard Pack (meters)
PAH-07G	PAH-07B	6.4	10.0	15	50
PAH-10G	PAH-10B	9.6	13.0	20	50
PAH-12G	PAH-12B	11.8	15.8	30	50
PAH-16G	PAH-16B	15.9	21.2	40	50
PAH-22G	PAH-22B	21.7	28.5	45	50
PAH-28G	PAH-28B	27.8	34.5	55	50
PAH-36G	PAH-36B	36.0	42.5	60	30
PAH-48G	PAH-48B	46.5	54.5	70	30
PAH-56G	PAH-56B	56.3	67.2	110	30
PAH-70G	PAH-70B	70.0	82.5	160	10
PAH-95G	PAH-95B	91.5	106.0	210	10



APPLICATION IMAGE



STANDARD POLYAMIDE FLEXIBLE CONDUITS

SLITTED / UNSLITTED

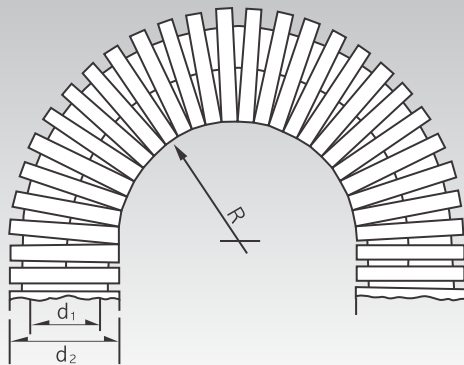


These Conduits are made of self extinguishing Polyamide 6. They are flexible, halogen-free and have a small bending radius. They offer good impact resistance and are suitable for various applications such as ship and train building, machine building, tramway, movable machine parts, etc. These Conduits offer IP 67 protection in combination with Conduit Glands. UV resistant Conduits are also available on request. These Conduits are available in grey and black colours and comply with EN 60529 and IEC 61386 standards.

Technical Details :

Material	Polyamide 6
Flexural Strength	850 kg / cm ²
Flexural Modulus	20,000 kg / cm ²
Tensile Strength	630 kg / cm ²
Impact Strength	20 kg.cm / cm
Temperature Range	-40° C to +105° C Continuous, +130° C Short Term
Resistant	Alcohol, Benzol, Greases, Mineral Oil, Diesel Fuel, Sea Water, Petrol, etc.
Protection Class	IP 67

Cat. No. Grey	Cat. No. Grey Slitted	Cat. No. Black	Cat. No. Black Slitted	Inner Diameter d1 (mm)	Outer Diameter d2 (mm)	Bending Radius R (mm) ± 10%	Standard Pack (meters)
		CPS-4.5B	CPSS-4.5B	5.0	7.1	12	100
CPS-07G	CPSS-07G	CPS-07B	CPSS-07B	6.4	10.0	15	50
CPS-10G	CPSS-10G	CPS-10B	CPSS-10B	9.6	13.0	20	50
CPS-12G	CPSS-12G	CPS-12B	CPSS-12B	11.8	15.8	30	50
CPS-16G	CPSS-16G	CPS-16B	CPSS-16B	15.9	21.2	40	50
CPS-22G	CPSS-22G	CPS-22B	CPSS-22B	21.7	28.5	45	50
CPS-28G	CPSS-28G	CPS-28B	CPSS-28B	27.8	34.5	55	50
CPS-36G	CPSS-36G	CPS-36B	CPSS-36B	36.0	42.5	60	30
CPS-48G	CPSS-48G	CPS-48B	CPSS-48B	46.5	54.5	70	30
CPS-56G	CPSS-56G	CPS-56B	CPSS-56B	56.3	67.2	110	30
CPS-70G	CPSS-70G	CPS-70B	CPSS-70B	70.0	82.5	160	10
CPS-95G	CPSS-95G	CPS-95B	CPSS-95B	91.5	106.0	210	10



APPLICATION IMAGE

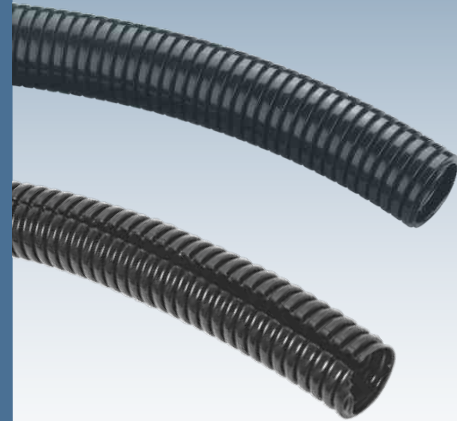


These Conduits are made of soft polyethylene (PE). They are flexible, and have a small bending radius offering good impact resistance. They are suitable for various applications such as machine tool, industrial machinery, chemical machinery etc. These Conduits offer IP67 protection in combination with Conduit Glands. UV resistant Conduits are also available on request. These Conduits are available in grey and black colours.

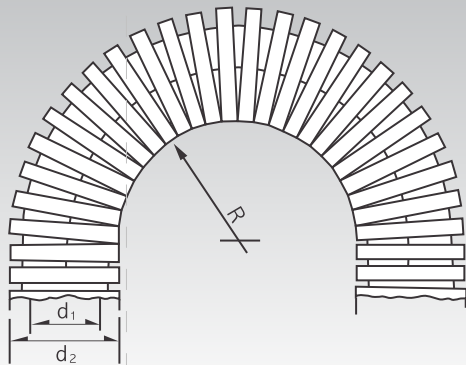
Technical Details :	
Material	Polyethylene (PE)
Flexural Strength	500 kg / cm ²
Flexural Modules	16,000 kg / cm ²
Tensile Strength	520 kg / cm ²
Impact Strength	15 kg.cm / cm
Temperature Range	-15° C to +60° C Continuous, +80° C Short Term
Resistant	Acid, Sea Water, Ammonia, etc.
Protection Class	IP 68

POLYETHYLENE FLEXIBLE CONDUITS

SLITTED / UNSLITTED



Cat. No. Grey	Cat. No. Grey Slitted	Cat. No. Black	Cat. No. Black Slitted	Inner Diameter d1 (mm)	Outer Diameter d2 (mm)	Bending Radius R (mm) ± 10%	Standard Pack (meters)
		PES-4.5B	PESS-4.5B	5.0	7.1	12	100
PES-07G	PESS-07G	PES-07B	PESS-07B	6.4	10.0	15	50
PES-10G	PESS-10G	PES-10B	PESS-10B	9.6	13.0	20	50
PES-12G	PESS-12G	PES-12B	PESS-12B	11.8	15.8	30	50
PES-16G	PESS-16G	PES-16B	PESS-16B	15.9	21.2	40	50
PES-22G	PESS-22G	PES-22B	PESS-22B	21.7	28.5	45	50
PES-28G	PESS-28G	PES-28B	PESS-28B	27.8	34.5	55	50
PES-36G	PESS-36G	PES-36B	PESS-36B	36.0	42.5	60	30
PES-48G	PESS-48G	PES-48B	PESS-48B	46.5	54.5	70	30
PES-56G	PESS-56G	PES-56B	PESS-56B	56.3	67.2	110	30
PES-70G	PESS-70G	PES-70B	PESS-70B	70.0	82.5	160	10
PES-95G	PESS-95G	PES-95B	PESS-95B	91.5	106.0	210	10



APPLICATION IMAGE



TWIN SLITTED CONDUITS

(CLOSABLE PROFILE)



Twin Slitted PA6, UV resistant conduits are used in applications where intermediate repair is expected. When wires or cables are to be replaced for repair work these conduits are the perfect solution. They are used in medium and heavy machines, computer installations, ship & train building, packaging-machines and automotive industry.

Technical Details :	
Material	Polyamide 6
Tensile Strength	250 N
Impact Resistance	1 J
Compression Resistance	320 N
Temperature Range	-40° C to +120° C Continuous, +150° C Intermittent
Colour	Black
Protection Class	IP 54

Size	Cat. No	Inner Diameter (mm)	Outer Diameter (mm)	Bending Radius R (mm)	Standard Pack (meters)
NW-7.5	STSC-7.5	6.3	10.2	15	50
NW-10	STSC-10	8.5	13.3	30	50
NW-13	STSC-13	11.0	16.0	45	50
NW-16	STSC-16	13.0	19.0	60	50
NW-17	STSC-17	15.5	21.5	70	50
NW-22	STSC-22	19.1	25.6	80	50
NW-26	STSC-26	24.0	31.7	90	25
NW-29	STSC-29	27.3	34.8	100	25
NW-37	STSC-37	33.1	42.7	120	25
NW-50	STSC-50	43.9	53.9	150	25



MODIFIED POLYAMIDE FLEXIBLE

CONDUITS SLITTED / UNSLITTED



These Conduits are made of self extinguishing Polyamide 6. They are flexible, UV resistant, halogen-free and have a small bending radius. They offer good impact resistance and are suitable for various applications such as vehicle industries, body section and chassis etc. These Conduits offer IP 67 protection in combination with Conduit Glands.

Technical Details :	
Material	Modified Polyamide 6
Temperature Range	-40° C to +150° C Continuous, +175° C Short Term
Colour	Black
Protection Class	IP 67
Approvals	ROHS

Size	Cat. No Unslitted	Cat. No Slitted	Inner Diameter (mm)	Outer Diameter (mm)	Standard Pack (meters)
NW4.5	SPAER-4.5	SPAERS-4.5	5	7.1	100
NW-7	SPAER-7	SPAERS-7	6.7	10	50
NW-10	SPAER-10	SPAERS-10	9.9	13	50
NW-12	SPAER-12	SPAERS-12	12.2	15.7	50
NW-17	SPAER-17	SPAERS-17	16.6	21.2	50
NW-23	SPAER-23	SPAERS-23	23.2	28.3	50
NW-29	SPAER-29	SPAERS-29	29	34.5	25
NW-37	SPAER-37	SPAERS-37	36	42.4	25



These Corrugated Conduits are made from modified Polypropylene. They are very flexible, acid-proof, flame-retardant and have high cold impact strength. It is used in engine compartment, car body interior, machining industry, home appliance industry, heating and air-conditioning installations, ship and train building. Mounting tools are available for opening and closing of these conduits.

Technical Details :

Material	Modified Polypropylene
Colour	RAL 9005 (Black)
Temperature Range	-40°C to +135°C Continuous, +150°C Short Term

LOCKABLE FLEXIBLE CONDUITS



Conduit Cat. No.	Conduit Inner Diameter (mm)	Conduit Outer Diameter (mm)	Bending Radius (mm) ±10%	Standard Pack for Conduit (meters)	Opening Tool Cat. No.	Closing Tool Cat. No.	Standard Pack for Tool (pieces)
SPPM-8.5	8.6	12.8	47	50	SOT - 8.5	SCT - 8.5	1
SPPM-10L*	10.2	13.3	47	50	-	-	1
SPPM-11	11.2	15.7	50	50	SOT - 11	SCT - 11	1
SPPM-13	12.2	18.3	50	50	SOT - 13	SCT - 13	1
SPPM-15	14.9	21.3	55	50	SOT - 15	SCT - 15	1
SPPM-19	19.0	25.6	65	50	SOT - 19	SCT - 19	1
SPPM-26	24.6	31.5	70	25	SOT - 26	SCT - 26	1

* Self closing conduit - No tool is required.



Flexi-Cover is a quick and easy system for organizing and protecting pre-connected wires / cables. This system consists of a Conduit and a tool for locking and unlocking. The Conduit is an open tube made of Polyethylene resin which is capable of easily returning back to its normal state. The Conduit can be re-used hundreds of times with guaranteed flexibility. The tool for locking and unlocking operation is made of ABS and has a side opening that allows quick and easy placement of cables in the conduits.

Technical Details :

Material	Polyethylene
Tool Material	ABS
Colour	Ivory & Black
Temperature Range	-15°C to +60°C Continuous

FLEXI-COVER CONDUITS



Conduit Cat. No. Ivory	Conduit Cat. No. Black	Inner Diameter (mm)	Standard Pack for Conduit (meters)	Opening / Closing Tool Cat. No.	Standard Pack for Tool (pieces)
EFC10G	EFC10B	8.0	50	EFCC10	1
EFC16G	EFC16B	15.0	50	EFCC16	1
EFC22G	EFC22B	20.0	50	EFCC22	1
EFC28G	EFC28B	25.0	50	EFCC28	1
EFC34G	EFC34B	30.0	50	EFCC34	1
EFC42G	EFC42B	38.0	50	EFCC42	1



GALVANISED STEEL FLEXIBLE

CONDUITS - BARE METAL



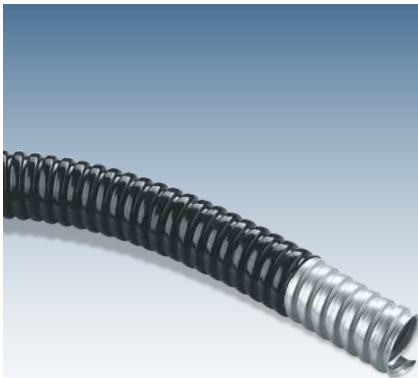
The Square locked, helical Corrugated Bare Metal Conduits are highly flexible and have an angular profile. Their robust construction makes them resistant to high mechanical stresses. These also have high impact resistance. They are used in wiring of machine connections.

Technical Details :

Material	Galvanized Steel
Protection Class	IP50
Temperature Range	-50° to +250°C Continuous

RoHS

Size	Cat. No	Inner Diameter (mm)	Outer Diameter (mm)	Bending Radius R (mm)	Standard Pack (meters)
NW-7	MSB-7	8.0	10.0	32	50
NW-9	MSB-9	11.0	14.0	45	50
NW-11	MSB-11	14.0	17.0	50	50
NW-13.5	MSB-13	16.0	19.0	50	50
NW-16	MSB-16	18.0	21.0	55	50
NW-21	MSB-21	23.0	27.0	65	25
NW-29	MSB-29	32.0	36.0	95	25
NW-36	MSB-36	40.0	45.0	105	25
NW-42	MSB-42	45.0	50.0	130	25
NW-48	MSB-48	50.0	56.0	140	25



GALVANISED STEEL FLEXIBLE

CONDUITS - PVC SHEATHED



The Square locked, helical Corrugated Flame retardant PVC sheathed metal conduits are highly flexible. They do not contain silicon or cadmium. Their robust construction makes them resistant to high mechanical stresses. These also have high impact resistance. These conduits offer IP67 protection when combined with appropriate Controlwell conduit glands.

Technical Details :

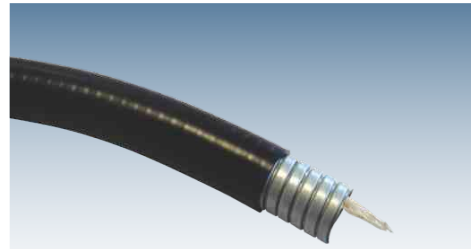
Material	PVC Coated Galvanized Steel
Protection Class	IP 67
Temperature Range	-25° to +100°C Continuous

RoHS

Size	Cat. No	Inner Diameter (mm)	Outer Diameter (mm)	Bending Radius R (mm)	Standard Pack (meters)
NW-7	MSP-7	7.0	10.0	25.0	50
NW-9	MSP-9	10.0	14.0	35.0	50
NW-11	MSP-11	13.0	17.0	50.0	50
NW-13.5	MSP-13	15.0	19.0	55.0	50
NW-16	MSP-16	17.0	21.0	60.0	50
NW-21	MSP-21	21.0	27.0	65.0	25
NW-29	MSP-29	28.0	36.0	75.0	25
NW-36	MSP-36	37.0	45.0	90.0	25
NW-42	MSP-42	44.0	52.0	120.0	25
NW-48	MSP-48	48.0	56.0	135.0	25

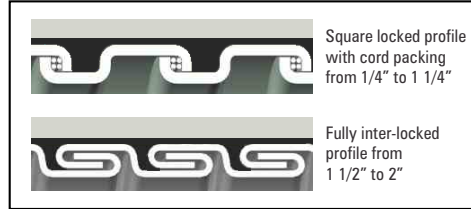
LIQUID TIGHT PVC COATED SMOOTH CONDUITS - TYPE EF

Type EF is a widely usable liquid tight PVC coated smooth conduit. This conduit, with its lead-free cover, is meant for applications where no extreme external parameters have influence on the conduit. Some of its applications include: Use in the apparatus & machine building, panel building, packing machines, paper recycling machines, pharmaceutical machines and transport systems. These conduits are resistant to UV & Sunlight. They are suitable for outdoor use and burial installation.



RoHS

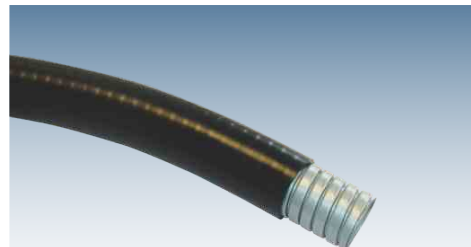
Technical Details :	
Construction	Galvanized steel square locked profile with cord packing and smooth PCT Cover from 1/4" to 1 1/4". Fully inter-locked profile from 1 1/2" to 2"
Temperature Range	-25 ^o to +70 ^o C, Intermittent upto +90 ^o C
Protection Class	IP 67
Colour	Black
Compression Resistance	Heavy (1250 N)
Impact Resistance	Heavy (6 J)
Tensile Strength	Heavy (1000 N)
Resistance to Flame propagation	Non Flame Propagating



Size (Inch)	Cat. No	Inner Diameter (mm)	Outer Diameter (mm)	Bending Radius R (mm)	Standard Pack (meters)
3/8"	AEFB-3/8"	12.6	17.8	60	10
1/2"	AEFB-1/2"	16.0	21.1	75	10
3/4"	AEFB-3/4"	21.0	26.4	90	10
1"	AEFB-1"	26.5	33.1	120	10
1 1/4"	AEFB-1 1/4"	35.1	41.8	150	10
1 1/2"	AEFB-1 1/2"	40.3	47.8	200	15
2"	AEFB-2"	51.6	59.9	250	15

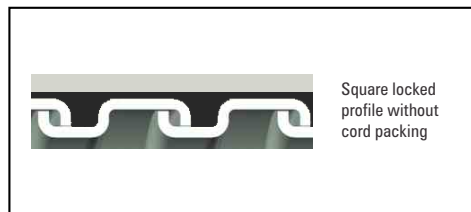
LIQUID TIGHT PVC COATED SMOOTH CONDUITS - TYPE EFM

Type EFM is an economical liquid tight PVC coated smooth conduit. This conduit, with its lead-free cover, is meant for applications where no extreme external parameters have influence on the conduit and also no frequent movements are required. Some of its applications include: Use in the machine building, panel building, wood cutting machinery, & packing machines. These conduits are resistant to UV & Sunlight. They are suitable for outdoor use and burial installation.



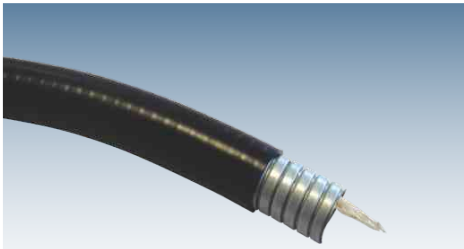
RoHS

Technical Details :	
Construction	Galvanized steel square locked profile without cord packing and with Smooth PVC cover
Temperature Range	-20 ^o to +60 ^o C, Intermittent upto +80 ^o C
Protection Class	IP 67
Colour	Black
Compression Resistance	Medium (750 N)
Impact Resistance	Heavy (6 J)
Tensile Strength	Heavy (1000 N)
Resistance to Flame propagation	Non Flame Propagating

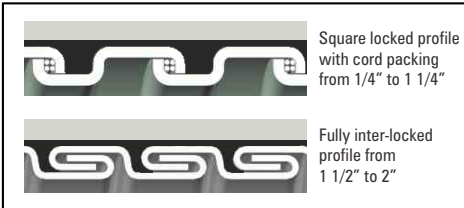


Size (Inch)	Cat. No	Inner Diameter (mm)	Outer Diameter (mm)	Bending Radius R (mm)	Standard Pack (meters)
3/8"	AEFMB-3/8"	12.6	17.8	60	75
1/2"	AEFMB-1/2"	16.0	21.1	75	60
3/4"	AEFMB-3/4"	21.0	26.4	90	30
1"	AEFMB-1"	26.5	33.1	120	30
1 1/4"	AEFMB-1 1/4"	35.1	41.8	150	15
1 1/2"	AEFMB-1 1/2"	40.3	47.8	200	15
2"	AEFMB-2"	51.6	59.9	250	15

LIQUID TIGHT PVC COATED SMOOTH CONDUITS - TYPE HC



RoHS



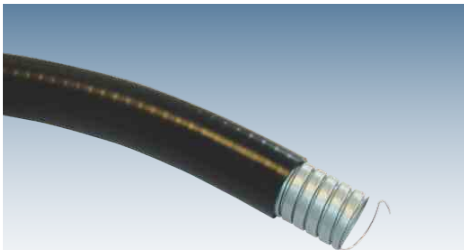
Type HC is an excellent liquid tight PVC coated smooth conduit for high temperature applications. The special PVC cover maintains its flexibility under high and low temperature conditions. Hence this conduit is used for applications where extreme temperature variations have influence on the conduit. Some of its applications include: Train warning systems, transformers, security systems, wood cutting machines, etc. These conduits are resistant to UV & Sunlight. The PVC cover has good resistance against oil & grease.

Technical Details :

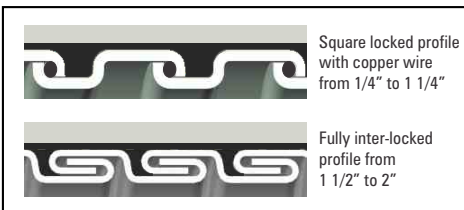
Construction	Galvanized steel square locked profile with PVC cover & cord packing from 1/4" to 1 1/4" Fully inter-locked profile from 1 1/2" to 2"
Temperature Range	-45° to +105°C, Intermittent upto +120°C
Protection Class	IP 67
Colour	Black
Compression Resistance	Heavy (1250 N)
Impact Resistance	Heavy (6 J)
Tensile Strength	Heavy (1000 N)
Resistance to Flame propagation	Non Flame Propagating

Size (Inch)	Cat. No	Inner Diameter (mm)	Outer Diameter (mm)	Bending Radius R (mm)	Standard Pack (meters)
3/8"	AHCB-3/8"	12.6	17.8	60	10
1/2"	AHCB-1/2"	16	21.1	75	10
3/4"	AHCB-3/4"	21	26.4	90	10
1"	AHCB-1"	26.5	33.1	120	10
1 1/4"	AHCB-1 1/4"	35.1	41.8	135	10
1 1/2"	AHCB-1 1/2"	40.3	47.8	165	15
2"	AHCB-2"	51.6	59.9	210	15

LIQUID TIGHT PVC COATED SMOOTH CONDUITS - TYPE UA



RoHS



Type UA is an excellent liquid tight PVC coated smooth conduit for EMI protection applications. This type of conduit has an integral grounding copper wire (upto 1 1/4") which allows it for use in EMI shielding applications. This conduit, with its lead-free cover, is meant for applications where no extreme external parameters have influence on the conduit. Some of its applications include: Use in the apparatus & machine building, panel building, packing machines, paper recycling machines, pharmaceutical machines and transport systems. These conduits are resistant to UV & Sunlight.

Technical Details :

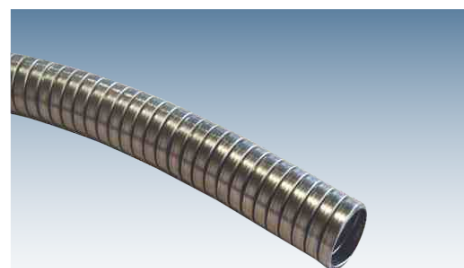
Construction	Galvanized steel square locked profile with PVC cover & copper wire from 1/4" to 1 1/4" Fully inter-locked profile from 1 1/2" to 2"
Temperature Range	-20° to +60°C, Intermittent upto +80°C
Protection Class	IP 67
Colour	Black
Compression Resistance	Heavy (1250 N)
Impact Resistance	Heavy (6 J)
Tensile Strength	Heavy (1000 N)
Resistance to Flame propagation	Non Flame Propagating

Size (Inch)	Cat. No	Inner Diameter (mm)	Outer Diameter (mm)	Bending Radius R (mm)	Standard Pack (meters)
3/8"	AUAB-3/8"	12.6	17.8	70	60
1/2"	AUAB-1/2"	16.1	21.1	90	60
3/4"	AUAB-3/4"	21.1	26.4	115	45
1"	AUAB-1"	26.8	33.1	145	30
1 1/4"	AUAB-1 1/4"	35.4	41.8	175	15
1 1/2"	AUAB-1 1/2"	40.3	47.8	205	15
2"	AUAB-2"	51.6	59.9	240	15

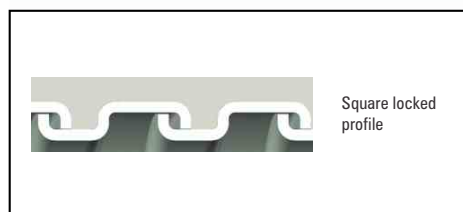
STAINLESS STEEL SQUARE LOCKED CONDUITS - TYPE SLI

The S.L.I. Conduits made of stainless steel are highly flexible and mainly being used as an instrumentation hose. The S.L.I. Conduit is also used in steel and aluminium foundry industry, machine and apparatus-building. The S.L.I. is very popular in the fibre optics industry also. These hoses are used where chemical and mechanical protection is needed and high temperatures are involved.

Technical Details :	
Construction	Stainless Steel AISI 304, Square-Locked Core Fully inter-locked profile from 1 1/2" to 2"
Temperature Range	-100 ^o to +600 ^o C
Protection Class	IP 40
Colour	Metal
Compression Resistance	Medium (1250 N) 4000 N from 1 1/2" to 2"
Impact Resistance	Medium (6 J)
Tensile Strength	Medium (1000 N)
Resistance to Flame propagation	Non Flame Propagating



RoHS

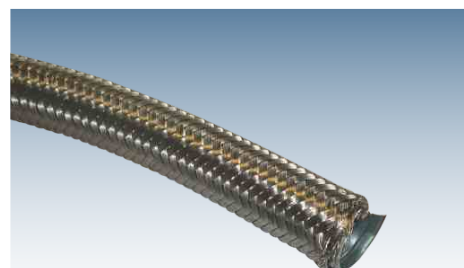


Size (Inch)	Cat. No	Inner Diameter (mm)	Outer Diameter (mm)	Bending Radius R (mm)	Standard Pack (meters)
3/16"	ASLI-3/16"	4.8	6.9	23	30
5/16"	ASLI-5/16"	10.1	12.8	50	30
3/8"	ASLI-3/8"	12.6	15.5	60	30
1/2"	ASLI-1/2"	16.0	18.9	75	30
3/4"	ASLI-3/4"	21.0	23.9	90	30
1"	ASLI-1"	26.5	30.0	120	30
1 1/4"	ASLI-1 1/4"	35.1	38.7	135	30
1 1/2"	AUI-1 1/2"	40.3	44.4	230	15
2"	AUI-2"	51.6	55.7	285	15

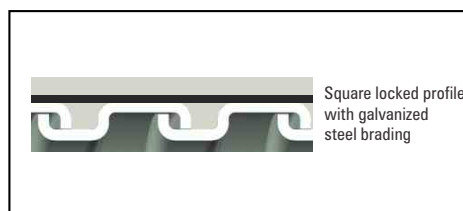
STAINLESS STEEL BRAIDED GALVANIZED STEEL CONDUITS - TYPE SLB

S.L.B. Conduit is very useful for situations where a robust metal conduit along with high flexibility is demanded. This conduit has a square-locked construction in combination with a stainless steel braid. In combination with the special fittings this conduit is easy and quick to install. Type S.L.B. is particularly used in (mechanical) critical situations, such as machine building, steel works and also in transport systems and security. The S.L.B. is excellent in protecting cables against metal particles, vandalism, rodents and offers high level of shielding.

Technical Details :	
Construction	Galvanized Steel, Square-Locked Core with Stainless Steel Braid (AISI 304)
Temperature Range	-55 ^o to +300 ^o C
Protection Class	IP 40
Colour	Metal
Compression Resistance	Heavy (1250 N)
Impact Resistance	Heavy (6 J)
Tensile Strength	Heavy (1000 N)
Resistance to Flame propagation	Non Flame Propagating



RoHS



Size (Inch)	Cat. No	Inner Diameter (mm)	Outer Diameter (mm)	Bending Radius R (mm)	Standard Pack (meters)
3/8"	ASLB-3/8"	12.6	15.8	60	30
1/2"	ASLB-1/2"	16.0	20.5	75	30
3/4"	ASLB-3/4"	21.0	25.5	90	30
1"	ASLB-1"	26.5	32.8	120	30
1 1/4"	ASLB-1 1/4"	35.1	40.5	135	30
1 1/2"	ASLB-1 1/2"	40.3	46.5	165	30
2"	ASLB-2"	51.6	58	210	30